

4

3

2

1

D

D

C

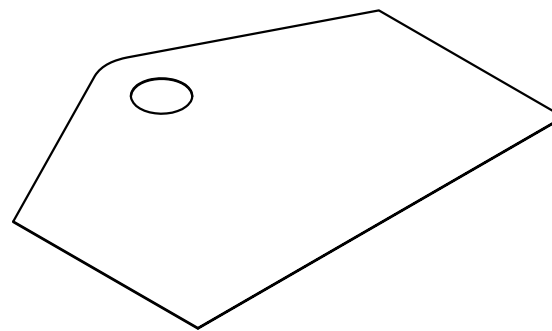
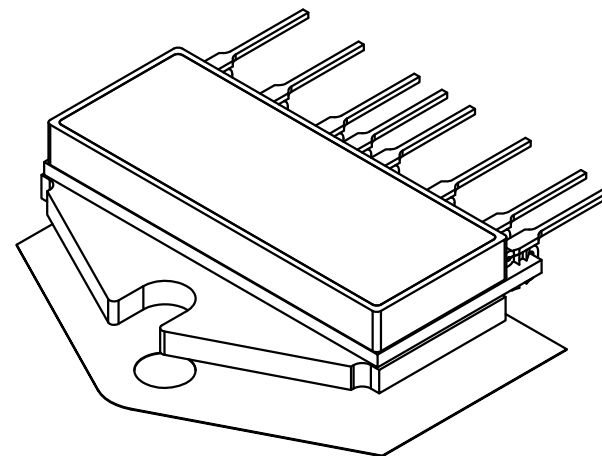
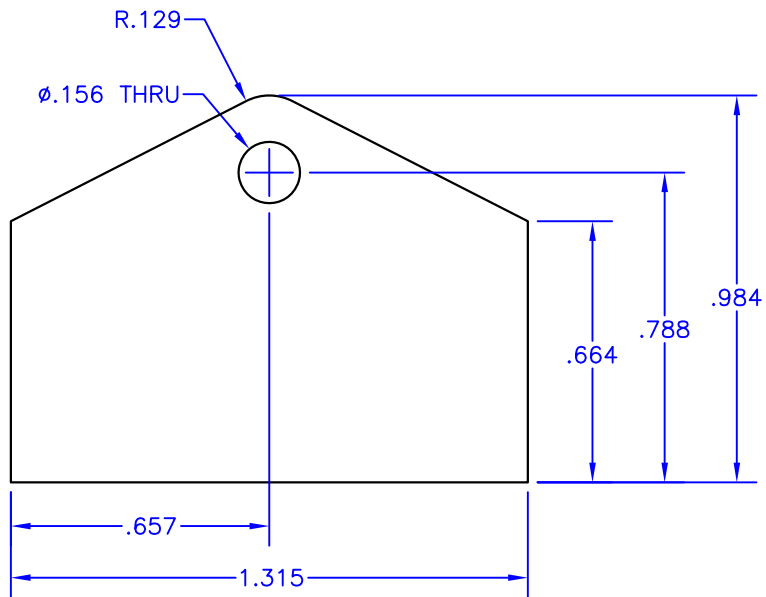
C

B

B

A

A

**NOTES:**

1. Unless otherwise noted, all dimensions are in inches.
2. Film Material: $.002$ thick Kapton[®] MT
Dielectric strength - 5200 VAC/mil
3. Interface Material: $.0005$ thick phase-change thermal compound, both sides.
Maximum shipping & storage temperature - 40°C
Reflow temperature - 60°C
Maximum recommended service temperature - 200°C
4. Thermal impedance: $.201^{\circ}\text{C-in}^2/\text{W}$ ($1.30^{\circ}\text{C-cm}^2/\text{W}$) @ 20psi
5. Thermal washers shall be packaged in quantities of 10 with oversize separators between them.
6. Used with SIP packages (Apex designators: DQ & DR).
7. Power Devices part no. KA-132-098-APX

| | |
|---|-------------------|
| TOLERANCES - UNLESS OTHERWISE SPECIFIED | |
| .XX | = $\pm.01$ |
| .XXX | = $\pm.005$ |
| ANG. | = $\pm.5^{\circ}$ |



| | | | | | |
|-------------------------------------|--------------------|--------------|---------------|-------------------------|-----------------------|
| TITLE THERMAL WASHER, SIP | | | | PART NO. TW13 | |
| SUBJECT MECHANICAL DRAWING | | | | | |
| ENG. D-M | TECH/DWN. P.ECK | DCA 80339 | SHL OF 1 1 | FILENAME TW13 | REV DATE C 03NOV08 |

4

3

2

1